

INSTRUCTION & ASSEMBLY SHEET

SkyRack

ROBUST SKYRACK J-STYLE KAYAK CARRIER
MODEL # SR-KR-102

PARTS INCLUDED • DESCRIPTION • QTY.		
1	Long tube	2
2	Short tube	2
3	Junction tube	4
4	High-density foam	8
5	Carrier rubber base	2
6	Carrier steel plate	2
7	Fixation plate	4
8	Screw knob	8
9	Bolt 2"7/8 (73 mm)	8
10	Flat washer	8
11	Bolt 1"1/2 (38 mm)	4
12	Nylon lock nut	4
13	Tie down strap 8' x 1" (244 cm x 2.54 cm)	2

◆ WARNINGS / LIMITATIONS ◆
<ul style="list-style-type: none"> Load bars must be at least 24" (61 cm) apart for safe use; Do not exceed the factory recommended load on the crossbars; Maximum kayak load should not exceed 130 lbs (59 kg) on the Skyrack J-style kayak carrier; Ensure the kayak carrier and the crossbars are properly installed and tightened on the vehicle; The kayak must be centered on the kayak carriers; Always tie down the bow and stern of the kayak to vehicle bumpers or tow hooks (<u>sold separately</u>); Compatible only with sea kayaks and whitewater kayaks. This product is not designed for aluminum boats; All bolts, nuts and screw knobs must be checked and tightened before every use to ensure smooth and safe operation; Not for off road use; Do not use Robust Skyrack J-Style kayak carrier SR-KR-102 and accessories for purposes other than those for which they were designed. <p style="text-align: center; margin-top: 10px;">Failure to follow above guidelines voids warranty.</p>

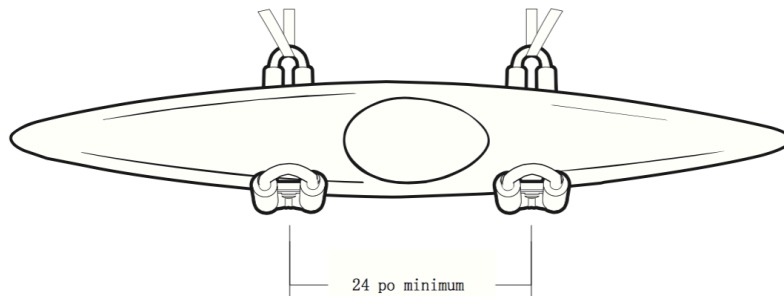
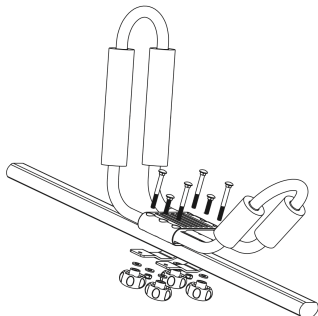
TOOL(S) NEEDED

- 13 mm wrench



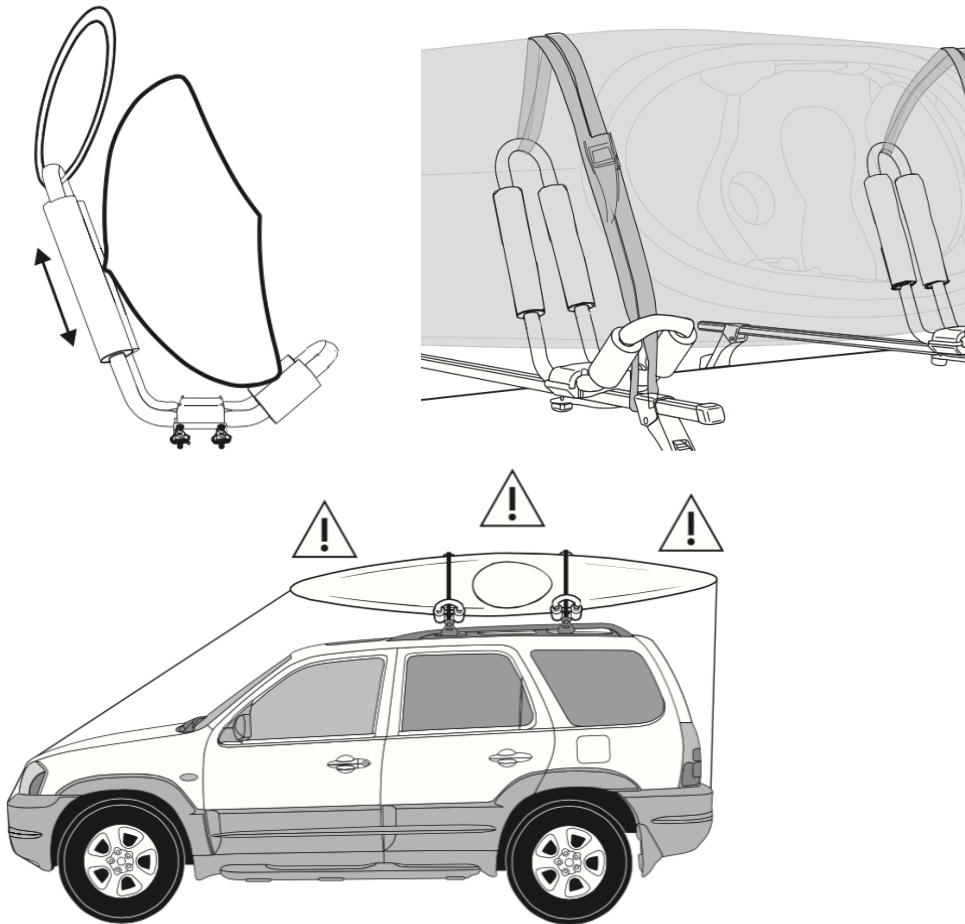
MOUNTING INSTRUCTIONS

1. Insert the Carrier steel plate (bump facing up) (#6) inside the Carrier rubber base (#5);
2. Insert the Junction tube (#3) inside the Long tube (#1) and align the hole;
3. Insert the Junction tube (#3) through the Carrier rubber base (#5) in the Short tube (#2). Make sure that the Carrier steel plate (#6) is under the Tubes (#1) and (#2);
4. Insert the Bolts (#11) in the middle holes of the Carrier rubber base (#5) going through Tubes (#1) and (#2), Junction tube (#3) and the Carrier steel plate (#6). Lock the Bolt (#11) with the Nylon lock Nut (#12);
5. Insert the Bolts (#9) in the 4 corner holes of the Carrier rubber base (#5);
6. Place the rack on the crossbars; insert the Fixation plate (#7) under the crossbars on the bolts (#9), then the Flat washers (#10) and the Screw knob (#8);
7. Tighten all Bolts (#9) and (#11), Nylon lock nuts (#12) and Screw knobs (#8);
8. Check tightness and good condition of each parts every use.



LOADING KAYAK

1. Load the kayak on the carriers with the cockpit facing towards you;
2. Center the kayak on carriers;
3. Adjust the High-density foam (#4) to fit the kayak. Ensure that all of the contact points on the kayak touch the High density foam (#4);
4. Route the Tie down strap (#13) around the top of the carrier, over the kayak and around the bottom of the carrier. Make sure the Tie down strap (#13) does not go over the cockpit area;
5. Tighten Tie down strap (#13);
6. Attach the bow and stern of the kayak to solid and secure points of the car or with Hood/Trunk Tie downs (sold separately);
7. Check regularly the carrier and the fixation to ensure they are safe and solid.



SKYRACK WARRANTY

All Skyrack products are covered by a one-year limited Warranty from the original date of purchase against defects in manufacturing or materials. The warranty ends if the original purchaser transfers the product to any other person. If any defect appears on your Skyrack product during the Warranty, please contact us by email.

Skyrack will repair or replace the product without charge for parts or labor. Skyrack can decide to issue to the buyer a refund equal to the purchase price paid. No warranty is given for defects caused by normal wear, cosmetic rust, scratches, accidents, illegal operation of the vehicle, or personal modification of the product.